

## Meal Delivery Carts

### Tall Profile, Triple Door, 30 or 60 Tray Capacity

Models MDC1418T30, MDC1520T30 (30 Trays)

MDC1411T60 (60 Trays)

StoreSafe

#### Features & Benefits

- Durable carts designed to specifically meet the meal delivery needs of hospitals (acute care), long term care and correctional facilities.
- Designed to work with thermal pellet system, heated base system, insulated trays or tray on tray meal delivery systems.\*
- Single stack rail system handles:  
MDC1418T30, MDC1520T30
  - 1 tray per rail, 10 trays per compartment
  - 5" (12,7 cm) clearance between railsMDC1411T60
  - 2 trays per rail, 20 trays per compartment
  - 5" (12,7 cm) clearance between rails
- Serving capacity per cart:  
MDC1418T30 - 30 each 14" x 18" (36 x 46 cm) trays  
MDC1520T30 - 30 each 15" x 20" (38,1 x 50,8 cm) trays  
MDC1411T60 - 60 each 14" x 11" (36 x 28 cm) trays
- Five nylon roller menu clips, one per door and one on each end, keeps service instructions highly visible and easy to access on the MDC1418T30 and MDC1520T30. The MDC1411T60 correctional unit does not have menu clips.
- Durable, one-piece, molded polyethylene construction ensures long term durability and reliability. Molded bottom bumpers protect walls and furniture.
- Thick foamed-in place polyurethane insulation provides added structural strength and reduces noise while transporting.
- Molded-in marine rail top offers a secure staging area. Marine rail is designed for use during service, not transport.
- ABS doors are non-insulated, durable and open out and over side bumper for clear access to full tray width. All doors have security hinge pins with lock blocks to prevent removal of doors.
- Two each internal nylon friction catches per door.
- One stainless steel transit latch per door, keeps doors securely closed. Each stainless steel transit latch has an external lock loop for use with a padlock for additional security.
- For light duty applications, 30 tray carts may be ordered without the steel transit latched by using product code MDC1520T30NL or MDC1418T30NL.
- Self-draining shelf and bottom in compartments facilitates cleaning.
- Heavy duty handle on each end make it easy to transport and maneuver carts. MDC1411T60 handles are tamper resistant.
- Standard casters are non-marking, durable, and offer smooth maneuverability.
- Standard configuration for all models offers casters slightly offset, to enhance maneuverability over uneven terrain.  
MDC1418T30, MDC1520T30 - Six each 6" (15,24 cm) stainless steel casters, four swivel with brake, and two rigid.  
MDC1411T60 - Four each 6" (15,24 cm) with 2" (5,1 cm) wide tread heavy duty plated casters, two swivel no brake and two rigid.
- Optional heavy duty rubber casters are durable, quiet and non-marking, and offer smooth maneuverability and safe handling.
- Non electrical. No assembly required.
- Available in 5 colors. MDC1411T60 is only available in 3 colors.\*\*

\*Specifically for in-cell feeding or cook-chill system.

Item No. \_\_\_\_\_

Specifier Identification No. \_\_\_\_\_

Model No. \_\_\_\_\_

Quantity \_\_\_\_\_



MDC1418T30 / MDC1520T30



MDC1411T60

#### Approvals



# Meal Delivery Carts

## Tall Profile, Triple Door, 30 or 60 Tray Capacity

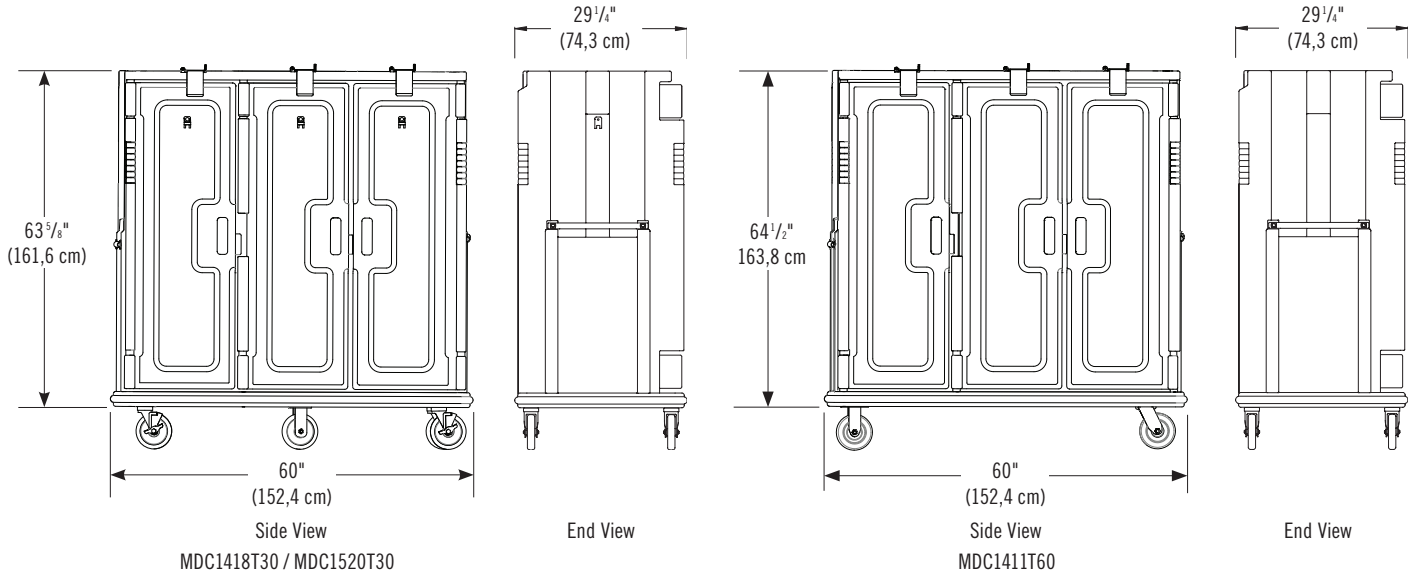
Models MDC1418T30, MDC1520T30 (30 Trays)  
MDC1411T60 (60 Trays)

Item No. \_\_\_\_\_

Specifier Identification No. \_\_\_\_\_

Model No. \_\_\_\_\_

Quantity \_\_\_\_\_



### Specifications

Dimension Tolerance: +/- 0,64 cm

Code	Tray Capacity Per Compartment	Exterior Dimensions L x W x H	Internal Dimensions L x W x H	Case lbs./cube kg/m <sup>3</sup>
MDC1418T30	10 each 14" x 18" (36 x 46 cm)	60" x 29 1/4" x 63 5/8" (152,4 x 74,3 x 161,6 cm)	14 1/2" x 21" x 50" (36,8 x 53,3 x 127 cm)	258 (75.23) 117,1 (2,13)
MDC1520T30	10 each 15" x 20" (38,1 x 50,8 cm)	60" x 29 1/4" x 63 5/8" (152,4 x 74,3 x 161,6 cm)	15 1/4" x 21 1/2" x 50" (38,7 x 54,6 x 127 cm)	254 (75.23) 115,2 (2,13)
MDC1411T60	20 each 14" x 11" (36 x 28 cm)	60" x 29 1/4" x 64 1/2" (152,4 x 74,3 x 163,8 cm)	14 1/2" x 21 1/2" x 50" (36,8 x 54,6 x 127 cm)	260 (92.51) 117,9 (2,62)

### Architect Specs

These non-electric carts shall be Tall Profile, Triple Door, 30 or 60 Tray Capacity Meal Delivery Carts, Model MDC1520T30, MDC1418T30 and MDC1411T60, manufactured by Cambro Mfg. Co., Huntington Beach, CA 92647, USA. They shall have a single stack rail system that holds 1 or 2 trays per rail, 10 or 20 trays per compartment, with a rail clearance of 5" (12,7 cm). The MDC1418T30 holds 30 each 14" x 18" (36 x 46 cm) trays, the MDC1520T30 holds 30 each 15" x 20" (38,1 x 50,8 cm) trays and the MDC1411T60 holds 60 each 14" x 11" (36,5 x 26,8 cm) base trays for correctional service. They shall be made of one-piece, seamless, double-wall, high-density, molded polyethylene and shall be foam injected with polyurethane. They shall have molded bottom bumpers and marine top rail. They shall have a heavy duty aluminum (MDC1411T60) or nylon (MDC1418T30, MDC1520T30) handle on each end. The MDC1411T60 handles will be tamper resistant. They shall have three cream color, pressure molded, non-insulated, ABS doors with a molded-in vertical handle on each door. All doors shall have door hinge pins secured with lock blocks to prevent door removal. They shall have 2 internal nylon friction catches and each door shall have one stainless steel transit latch that includes an external lock loop for use with a padlock for additional security. For light duty applications, 30 tray carts may be ordered without the steel transit latched by using product code MDC1520T30NL or MDC1418T30NL. The MDC1418T30 and MDC1520T30 shall have five nylon roller menu clips, one per door and one on each end of the cart. The MDC1411T60 correctional unit does not have menu clips. All models shall have self-draining compartment floors that are slightly sloped. All models shall have casters slightly offset. The MDC1418T30 and MDC1520T30 shall have 6 each 6" (15,24 cm) stainless steel casters, 4 swivel with brake and 2 rigid. The MDC1411T60 shall have 4 each, heavy duty 6" (15,24 cm) plated casters with 2" (5,1 cm) wide tread, 2 swivel no brake and 2 rigid. They shall require no assembly. They shall be NSF listed. They shall be available in 5 colors. MDC1411T60 is only available in 3 colors.\*\*

### Standard Colors

- Gray with Cream Color Door (180)
- Granite Gray with Cream Color Door (191)\*\*
- Granite Green with Cream Color Door (192)
- Granite Sand with Cream Color Door (194)\*\*
- Slate Blue with Cream Color Door (401)\*\*

\*\* MDC1411T60 is only available in 3 colors.

### Approvals

